



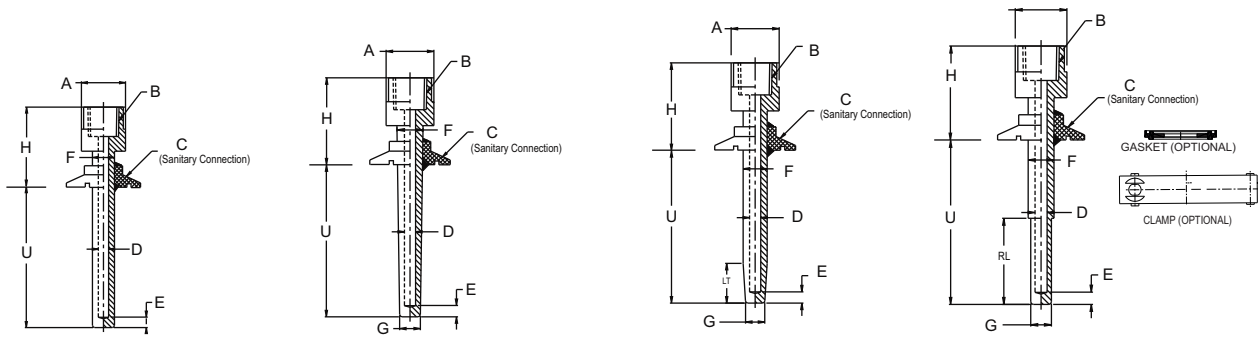
Special Features

- Design as per PTC 19.3
- These Thermowells are manufactured from solid bar stock and installed into the process by using clamp connection
- The smooth and polished surface of the wetted parts helps for easy cleaning and prevents potential contamination of the process
- This design is suitable for all type of RTD's, Thermocouples, mechanical as well as digital thermometers
- Available in various shapes like Straight, Straight with reduced tip, partial taper & full taper

Applications

- Biochemical plants
- Pharmaceutical plants
- Food and beverage industries
- Sterile process industries & other similar process industries

Thermowell Drawings



S - Straight

R - Straight Reduced Tip

P - Partial Taper

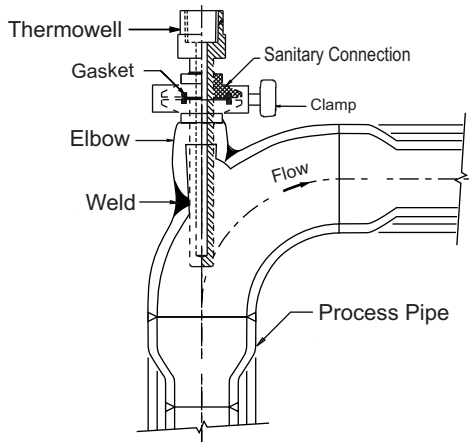
F - Full Taper

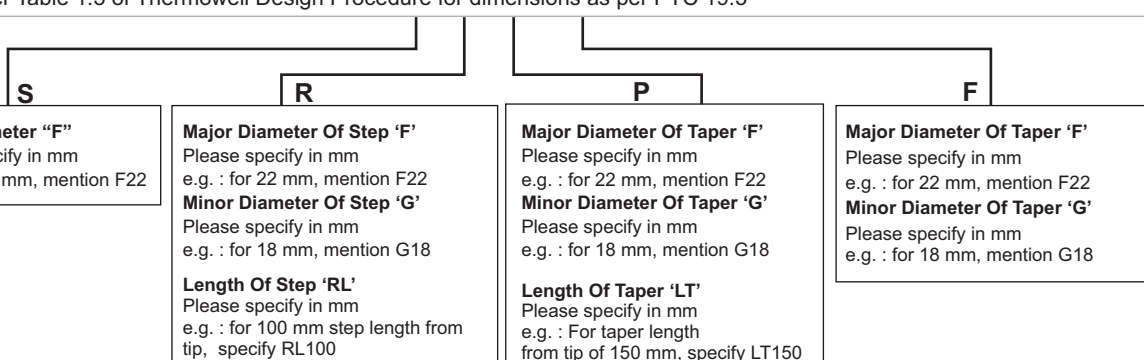
- A** - Finished Head Size
- B** - Instrument Connection
- C** - Sanitary Connection
- D** - Bore Diameter

- E** - Tip Thickness
- F** - Major Diameter
- G** - Minor Diameter
- H** - Extension Length

- U** - Insertion Length
- RL** - Reduced Tip Length
- LT** - Taper Length

Thermowell Installation



How To Order				Example
Basic Model				W3
Type				
S - Straight	R - Straight Reduced Tip	P - Partial Taper	F - Full Taper	X
Material				
ER AISI 304 L SS	LM AISI 316 SS	LN AISI 316L SS		XX
Instrument Connection "B"				
3BF 3/8" BSP (F)	4BF 1/2" BSP (F)	5TF 3/4" BSPT (F)	3MF M18 x 1.5 (F)	XXX
3NF 3/8" NPT (F)	4NF 1/2" NPT (F)	5NF 3/4" NPT (F)	4MF M20 x 1.5 (F)	
3TF 3/8" BSPT (F)	4TF 1/2" BSPT (F)	5BF 3/4" BSP (F)	5MF M22 x 1.5 (F)	
3PF 3/8" G (F)	4FF 1/2" PF (F)	5PF 3/4" G (F)	6MF M24 x 1.5 (F)	
	4PF 1/2" G (F)			
Note : Other Connections are available on request.				
Sanitary Connection "C"				
YN 1.5" Sanitary Connection	YO 2" Sanitary Connection	YP 2.5" Sanitary Connection		XX
Finished Head Size "A" (Refer Table 1.1 for selection of Head Size for Thermowell.)				
Please Specify in mm				
e.g. : For 28 mm Finished head Size, specify A28				XXX
Type Of Head				
K Hex Headed*	M Round Headed With Spanner Slots.			X
*Maximum "U" Length below Triclover will be 250 mm.				
Extension / Lagging Length "H"				
H50 (Standard)				
For e.g. : for length 75 mm, mention H75				XXX
Bore Diameter "D"				
A 6.6 mm	B 7 mm	C 8.5 mm	D 9 mm	X
E 10.5 mm	F 11 mm	G 13 mm	H 13.5 mm	
Note : Refer Table 1.3 of Thermowell Design Procedure for dimensions as per PTC 19.3				
				
S Major Diameter "F" Please specify in mm e.g. : for 22 mm, mention F22	R Major Diameter Of Step 'F' Please specify in mm e.g. : for 22 mm, mention F22 Minor Diameter Of Step 'G' Please specify in mm e.g. : for 18 mm, mention G18 Length Of Step 'RL' Please specify in mm e.g. : for 100 mm step length from tip, specify RL100	P Major Diameter Of Taper 'F' Please specify in mm e.g. : for 22 mm, mention F22 Minor Diameter Of Taper 'G' Please specify in mm e.g. : for 18 mm, mention G18 Length Of Taper 'LT' Please specify in mm e.g. : For taper length from tip of 150 mm, specify LT150	F Major Diameter Of Taper 'F' Please specify in mm e.g. : for 22 mm, mention F22 Minor Diameter Of Taper 'G' Please specify in mm e.g. : for 18 mm, mention G18	XXX OR XXX OR XXXXX
Note : Refer Table 1.3 of Thermowell Design Procedure for dimensions as per PTC 19.3				

Tip Thickness "E"		Example
Standard Tip Thickness is 5 mm. For others, please specify in mm. e.g. : Specify E5 for 5 mm Tip Thickness		XX
Thermowell Insertion Length "U" (below Sanitary Connection) Please specify in mm (e.g. : for 250 mm, mention U250) Note : Refer Table 1.4 of Thermowell Design Procedure for dimensions as per PTC 19.3		XXXX
Options		XX
GG Plug and chain in SS FW Electro polishing	SX SS Tag Plate CW Marking by Lazer	
Sanitary Clamp		
ZO 1.5" Clamp AISI 304 SS	ZP 2" Clamp AISI 304 SS	ZQ 2.5" Clamp AISI 304 SS
Gasket		
GX 1.5" PTFE Gasket	GY 2" PTFE Gasket	GZ 2.5" PTFE Gasket
Tests & Certification		
C1 Radiography for Bore Concentricity C4 Ultrasonic Test C5 PMI Test C7 Wake Frequency Calculations as per PTC 19.3* C9 Certification for Oxygen Service	T1 Chemical Composition Test T2 3.1B Material Conformity Certificate T4 Dye Penetration Test H1 Hydro Test	
* Please Specify Fluid, Max. Pressure, Temperature & Flow velocity for wake frequency calculations as per PTC 19.3		
Ordering Example:		
W3 . X . XX . XXX . XX . XXX . X . XXX . X . XXX OR XXX OR XXXXX . XX . XXXX . XX		